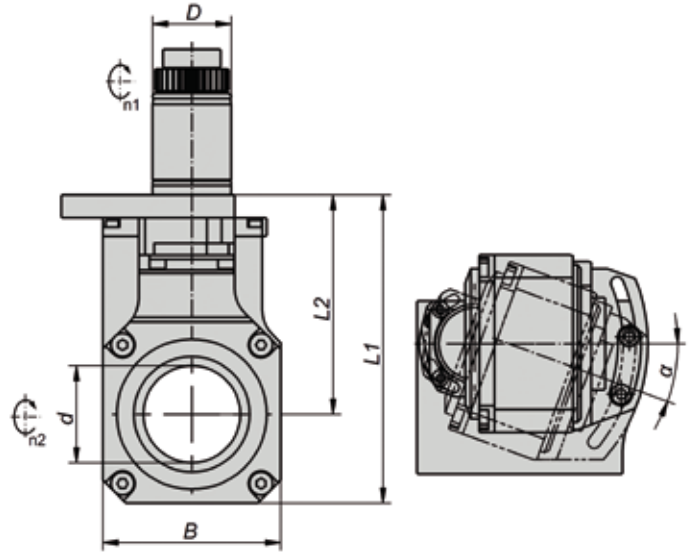


Thread whirling unit with insert holder type 42BJ



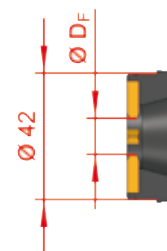
4199... (EC) with external coolant supply

Item No.	Interface		Insert holder dimension Ød	Dimensions/Data					
	ØD	Machine specification		B	L1	L2	n 1/min	α	i n1:n2
419900002-34	34	Star SR20R/Star SR32J/Goodway SW20	42	77	133.5	95	8000	20°	1:1
419900005-44	44	Star SV20/Star SV32JII (sub spindle)	42	77	133	94	8000	±22°	1:1
419900007-44	44	Star SV20/Star ECAS20T/Star SV32JII	42	77	133.5	95	8000	20°	1:1
419900008-44	44	Star SV32/Star ECAS32T	42	77	133.5	95	8000	20°	1:1
419900000-32	32	Doosan ST20G/GS	42	77	143.5	105	8000	20°	1:1
419900002-32	32	Doosan ST32G/GS/ST35G/GS	42	77	143.5	105	8000	20°	1:1
419900004-30	30	Hanwha XD12II	42	77	122.5	84	8000	±20°	1:1
419900002-30	30	Hanwha XD20H/XD26H	42	77	143.5	105	8000	20°	1:1
419900006-30	30	Hanwha XD20II/XD26II	42	77	143.5	105	8000	±15°	1:1
419900000-35	35	Hanwha XDI20	42	77	139	100.5	8000	20°	1:1
419900004-32	32	Hanwha XD32H/II /XD35H/II /XD38H/II	42	77	143.5	105	8000	±15°	1:1
419900007-30	30	Hanwha STL32H/STL35H/STL38H	42	77	143.5	105	8000	±20°	1:1
419900000-39	39	Goodway SW32/SW42	42	77	133.5	95	8000	20°	1:1
419900009-30	30	Nexturn SA20/SA26/SA32/SA20XII	42	77	153.5	115	8000	20°	1:1
419900003-32	32	Citizen L20	42	77	140.5	102	8000	±20°	1:1
419900000-46	46	Tsugami B0265-326/Tsugami SS20-32	42	77	143.5	105	8000	20°	1:1
419900001-35	35	Tsugami S205/206	42	77	158	119.5	8000	20°	1:1

Dimensions in mm

Suitable insert holders for type 42BJ (order separately)

WTO insert holder interface TN762004



Type 42BJ

Item No.  
M302.W012.32.06

Item No.  
119012

Item No.  
22406

Item No.  
325-12EE32-16M