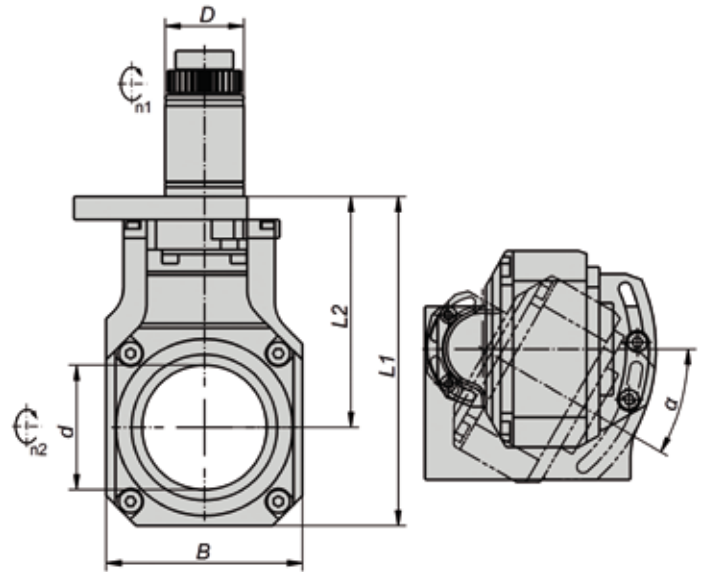


## Thread whirling unit with insert holder type 54BJ



### 4199... (EC) with external coolant supply

Item No.	Interface		Insert holder dimension Ød	Dimensions/Data					
	ØD	Machine specification		B	L <sub>1</sub>	L <sub>2</sub>	n 1/min	α	i n1:n2
419900003-34	34	Star SR20R/Star SR32J/Goodway SW20	54	85	142.5	100	6000	30°	1,36:1
419900010-44	44	Star SV32/Star ECAS32T	54	85	142.5	100	6000	30°	1,36:1
419900006-32	32	Doosan ST20G/GS	54	85	152.5	110	6000	30°	1,36:1
419900005-32	32	Doosan ST32G/GS/ST35G/GS	54	85	152.5	110	6000	30°	1,36:1
419900011-30	30	Hanwha XD20H/XD26H	54	85	152.5	110	6000	30°	1,36:1
419900012-30	30	Hanwha XD20II/XD26II	54	85	152.5	110	6000	30°	1,36:1
419900003-35	35	Hanwha XDI20	54	85	148	105.5	6000	30°	1,36:1
419900007-32	32	Hanwha XD32H/II /XD35H/II /XD38H/II	54	85	152.5	110	6000	30°	1,36:1
419900010-30	30	Nexturn SA20/SA26/SA32/SA20XII	54	85	162.5	120	6000	30°	1,36:1
419900001-46	46	Tsugami B0265-326/Tsugami SS20-32	54	85	152.5	110	6000	30°	1,36:1
419900002-35	35	Tsugami S205/206	54	85	167	124.5	6000	30°	1,36:1

Dimensions in mm

Suitable insert holders for type 54BJ (order separately)



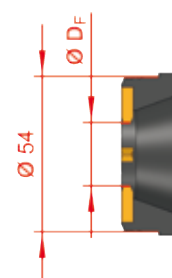
Item No.  
M302.0016.0445

Item No.  
149508

Item No.  
268664

Item No.  
on request

WTO insert holder interface  
TN762006



Type 54BJ